



BEFORE

Problem: Flat roofs can sometimes become problematic and unsightly with rooftop units, mechanical equipment, and pooling water.



AFTER

Solution: Berridge **Vantage Point** Retrofit Roof System provides a totally new design appearance, hides unsightly mechanical equipment, and offers watertight integrity.

Berridge **VANTAGE POINT** reroofing system combines a new aesthetic look with simple mechanical attachment over existing flat, built-up roofs that will last for years to come. **VANTAGE POINT** is more than just a patch-up or a re-roof solution; it is a permanent new roof with a new higher profile which gives your old building a totally new look. The sloped, light-weight, self-supporting metal panels need no substrate, thus avoiding extra weight and cost. They provide a watertight standing seam that sheds water in contrast to dated, flat, built-up roofs which are subject to water pooling and subsequent leakage. Added insulation may be placed on the existing flat roof.

Economical Installation— No Tear-Off Required!

High-Quality Structural/ Architectural Panel



ZEE-LOCK

The Berridge Zee-Lock architectural/structural standing seam roof systems provides superior aesthetic appearance and excellent performance.

Single-Source Convenience

The installer orders all necessary coil material & components and all pre-cut retrofit roof system framing members from Berridge.

A Retrofit Design Checklist for Architects & Designers

- Roof Design:** Low slope to steep mansard profile. Intersecting planes such as hips, dormer and valleys should be kept to a minimum.
- Penetrations:** Minimize penetrations such as skylights, curbs for roof-mounted heating or air-conditioning units, etc.

Thermal & Mechanical Considerations

Insulation

The space between the old and new roof allows for low-cost, blanket insulation to greatly reduce heating and cooling costs.

Vapor Barrier (if required)

A vinyl vapor barrier on the underside of the blanket insulation avoids condensation from the building penetrating insulation and reaching the framing system and roof panels.

Mechanical Equipment

Any existing and new mechanical equipment should be located at ground level to reduce penetrations.

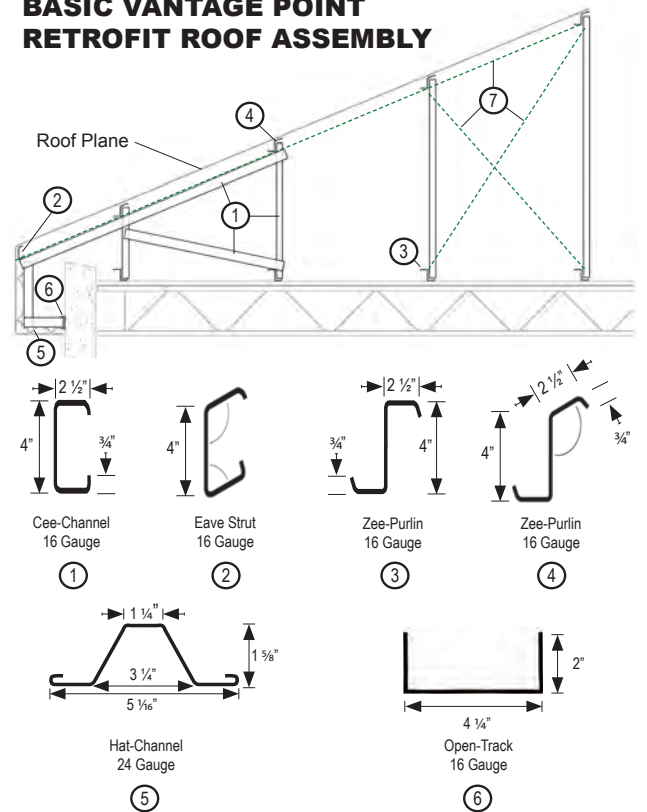
Ventilation

The new attic space can be vented with ridge vents or louvers.

Thermal Movement

Accommodated at the eaves and with inner-rib expansion joints.

BASIC VANTAGE POINT RETROFIT ROOF ASSEMBLY



- ① 16 ga. Cee-Channel. Connect ea. end w/ (4) #12-14 self-drilling fasteners.
- ② 16 ga. Eave Strut. Connect to beam w/ (2) #12-14 self-drilling fasteners.
- ③ 16 ga. Continuous 4" x 2-1/2" Zee-Purlin Roof Support.
- ④ 16 ga. Continuous 4" x 2-1/2" Retrofit Zee-Purlin.
- ⑤ 24 ga. Hat-Channel. Connect to beam w/ (2) #12-14 self-drilling fasteners ea flange.
- ⑥ 16 ga. Open-Track x 1'-0" Long. Anchor into wall. Connect to beam w/ (2) #12-14 self-drilling fasteners ea flange.
- ⑦ 24 ga. 2" Bottom Flange Strapping at Purlin mid-span. Connect to purlin w/ (1) #12-14 self-drilling fastener.

Disclaimer: Project specific engineering required. Consult Engineering Dept. for pricing. Suggested detail shown above may not be applicable to every project.