

AMERICAN SKYLIGHTS

DESIGN WITH LIGHT
YOUR SOURCE FOR CUSTOM SKYLIGHTS



855-772-7401 • WWW.AMERICANSKYLIGHTS.COM

American Skylights is entering its fourth decade of manufacturing unit skylights and roof systems for commercial and residential projects. A continuous commitment to quality, customer service and value has made American the manufacturer of choice for architects, roofing contractors and construction professionals nationwide. American manufactures the highest quality custom skylights for new or replacement openings without extended lead times or prohibitive costs. American, an ISO 9001 certified company, also manufactures skylights specifically designed and tested to meet the tough standards of AAMA, Miami-Dade County, Texas Department of Insurance, and OSHA. American Skylights makes it easy to Design With Light.



THE AMERICAN PATRIOT™ SKYLIGHT SYSTEM



- **Factory assembled**
- **Factory glazed**
- **Ready for installation at the job site**
- **Meets the industry standards for OSHA fall protection requirements**
- **Accepts insulated glass from 1" up to 1-5/16"**
- **Pyramid up to 8'0" x 8'0" (96" x 96")**
- **Ridge up to 8'0" x 15'0" (96" X 180")**
- **Available in 4:12 & 7:12 pitches**
- **Custom paint, anodized and mill finish**

The American Patriot™ skylight is a complete factory assembled and factory glazed skylight system. The units are produced in our facility under controlled conditions limiting the amount of field labor required for installation. The units are available in insulated glass up to 1-5/16" thick in all the most popular tints and performance grades. Standard anodized finishes are available as well as numerous custom painted options. The American Patriot skylight meets the industry standards for OSHA fall protection requirements, thus eliminating the need for rail systems or cages to interfere with the appearance of the skylights.

Air/Water/Structural Performance

Tested to: AAMA/WDMA/CSA 101/I.S.2/A440-08, NAFS

TEST

Air Infiltration per ASTM E 283:
 Water Penetration per ASTM E 331:
 Uniform Load Structural per ASTM E 330 @ -100.25 PSF
 Uniform Load Structural per ASTM E 330 @ +120.30 PSF

ALLOWED

1.5 I/S/M2 Allowed
 No Leakage Allowed
 5.8mm Allowed
 5.8mm Allowed

TESTED

<0.1 Measured
 No Leakage Measured
 4.0mm Measured
 1.8mm Measured

RESULT

Pass
 Pass
 Pass
 Pass

Fall Protection:

Tested to: OSHA 29 CRF-1910.23(e)(8)

TEST

200 LB Static Load Test
 2000 LB-FT (10' Drop Height) Test

ALLOWED

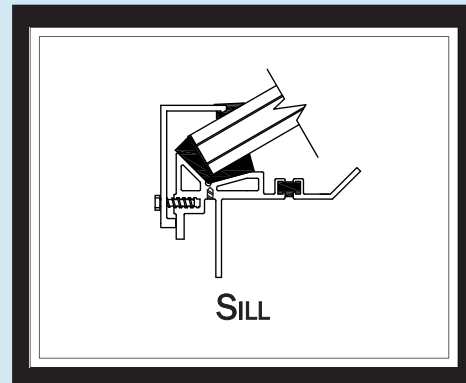
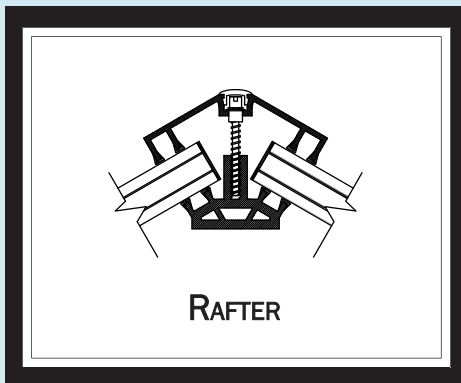
No Visible Damage
 No Visible Damage

TESTED

No Visible Damage
 No Visible Damage

RESULT

Pass
 Pass



CURB MOUNT SKYLIGHTS

Model CM



Model: CM & TCM

Curb mount skylights mount to existing roof curbs or roof curbs by others providing easy installation & replacement. Great for both residential and commercial applications.

Available in standard aluminum (Model CM) or with a thermally broken aluminum frame (Model TCM).

Frame: .060" T6063 aluminum framed skylight and retaining angle with integral condensation gutter and weep holes to direct moisture to the exterior.

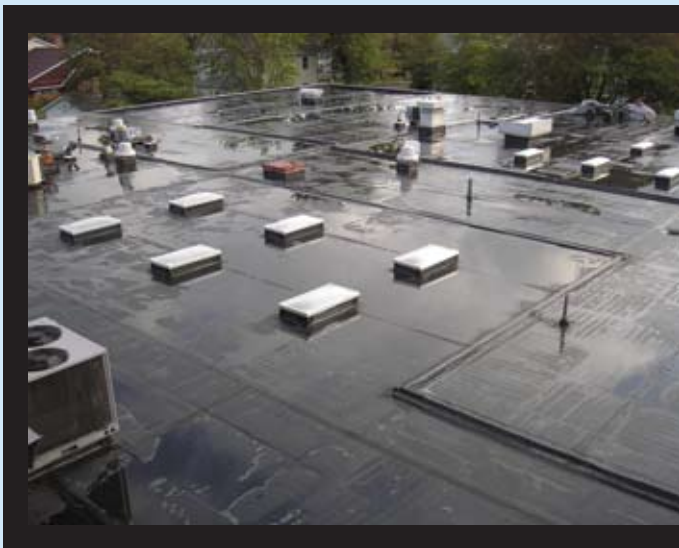
THERMALLY BROKEN

Model TCM



Glazing: Single or double domes. Domes are available in acrylic or polycarbonate for impact resistance. Standard colors are clear, #2447 white & #2412 bronze. These units are also available with formed pyramid glazing with a 22, 30 or 40 degree pitch. Unlimited dome colors are available upon request.

Finish: Mill, Fluoropolymer Paint, Bronze Anodized & Clear Anodized. Custom painting and anodizing are available upon request.



SELF FLASHING SKYLIGHTS

Model SF



Model: SF, ISF & TSF

Self flashing skylights come with integral curb and mount directly to the roof deck. These units offer a wide variety of options for sloped roofs to flat roofs. Self flashing units are available in 3.25", 4" & 6" curb heights for sloped roofs (minimum 2/12 pitch) & 9" & 12" for flat or low sloped applications.

Available with single wall curbs (Model SF), insulated curbs (Model ISF), as well as insulated curbs with a polyurethane thermal break (Model TSF).

Frame: .060" T6063 aluminum framed skylight and retaining angle with integral condensation gutter and weep holes to direct moisture to the exterior.

Model ISF

INSULATED



Glazing: Single or double domes. Domes are available in acrylic or polycarbonate for impact resistance. Standard colors are clear, #2447 white & #2412 bronze. These units are also available with formed pyramid glazing with a 22, 30 or 40 degree pitch. Unlimited dome colors are available upon request.

Finish: Mill, Fluoropolymer Paint, Bronze Anodized & Clear Anodized. Custom painting and anodizing are available upon request.

EZ SELF FLASHING SKYLIGHTS

Model: EZSF, EZISF & EZTSF

EZ self flashing models are available with all the same options as our self flashing units but add a 1 X 4 wood nailer for fastening the thermal edge of the roofing or curb flashing to the curb.

Model TSF

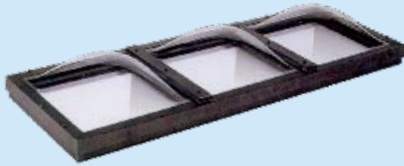
THERMAL



ROOF SYSTEMS

TANDEM SYSTEM

Model TSCM



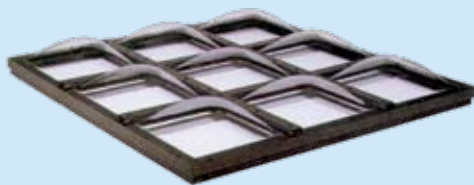
Model TSCM & GSCM

Tandem systems and grid systems are cluster units which allow unlimited sizes in both width and length. Available as curb mounted units, these skylight systems offer easy installation as well as a dramatic appearance over large openings. Available with all the same options in glazing and frame finishes as our unit skylights.

Frame: .060" T6063 aluminum framed skylight and retaining angle with integral condensation gutter and weep holes to direct moisture to the exterior.

GRID SYSTEM

Model GSCM

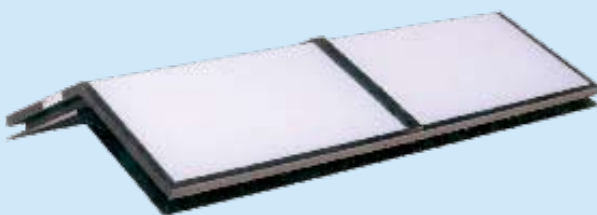


Glazing: Dual insulating glass - tempered and/or laminated. Available options include tinting with bronze or gray tint as well as Low E coatings and argon gas. Also available in acrylic or polycarbonate for impact resistance.

Finish: Mill, Fluoropolymer Paint, Bronze Anodized & Clear Anodized. Custom painting and anodizing are available upon request.

RIDGE MOUNT

Model RMSF



Model RMSF & Model RMTSF

American Skylights' Ridge Lite units mount over the peak of the roof and are custom built to your specifications and roof pitches. The units are available with a standard 3.25" curb height (Model RMSF) or thermally broken with a 4" curb height (Model RMTSF). Available with all of American Skylights' standard options in glazing and frame finishes, the Ridge Lite offers creativity in design while offering natural light.



ROOF SYSTEMS

BARREL VAULT

Model BVCM



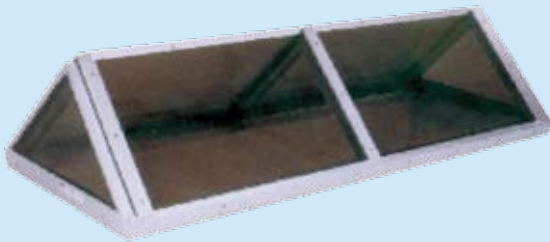
Model BVCM, HRCM & RLCM

Roof systems are curb mounted and come standard with a polyurethane thermal break. The units are available in custom widths and unlimited lengths. Units are available with all of American Skylights' standard options in glazing & frame finishes. the Barrel Vault (Model BVCM) is a 25% rise, the Half Round (Model HRCM) is a 50% rise & the Ridge Lite (Model RLCM) is a 45 degree pitch. All units are custom made to your specifications.

Frame: .060" T6063 aluminum framed skylight and retaining angle with integral condensation gutter and weep holes to direct moisture to the exterior.

RIDGE LITE

Model RLCM



Glazing: Available in acrylic or polycarbonate for impact resistance. Standard colors are clear, #2447 white & #2412 bronze.

Finish: Mill, Fluoropolymer Paint, Bronze Anodized & Clear Anodized. Custom painting and anodizing are available upon request.

HALF ROUND

Model HRCM

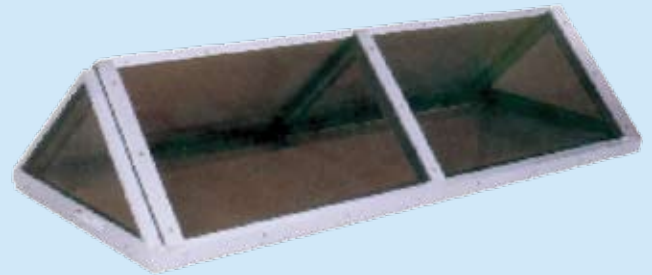


FALL PROTECTION SKYLIGHT PRODUCTS

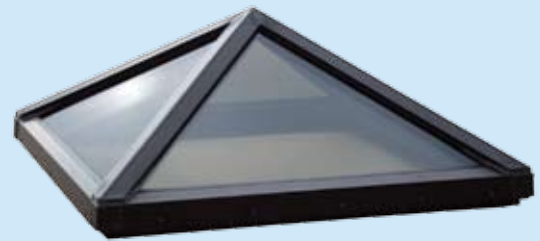
- **Curb mounted (TCM) or self-flashing (TSF) polycarbonate glazed skylights (available in dome or pyramid shapes)**



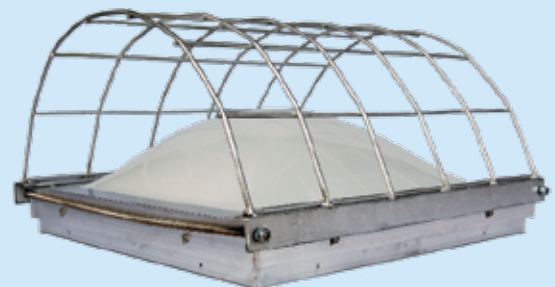
- **Ridge Lite (RLCM-FG) skylights (Roof systems); polycarbonate glazed, furnished assembled and glazed, ready for installation**



- **Patriot pyramid (APCM) or ridge (APCMR) glass glazed skylights furnished assembled and glazed with insulating glass**



- **Fall Guard cages to retrofit most skylight units. Available in galvanized coating; easily retrofits to previously installed skylights.**



- **OSHA mandated: 200 lb static testing**
- **Voluntary impact testing: minimum 1,000 lb/ft up to 3,400 lb/ft**



AMERIFORCE 100

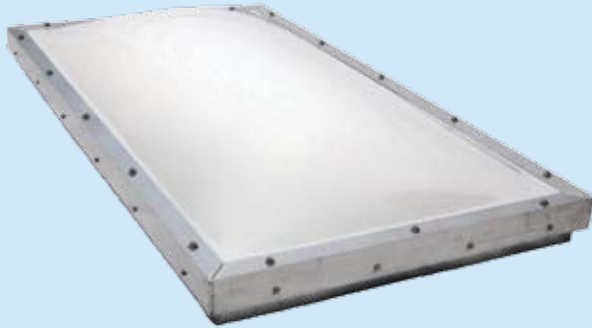
DESIGNED TO MEET THE MOST STRINGENT COASTAL REQUIREMENTS

AMERIFORCE 100 features:

- Available in any size up to 32 square feet
- Approved for 100 psf design pressure, positive and negative
- Available in 6" Self-Flashing or Curb Mount styles
- Sealed double polycarbonate domes with several color options
- Mill Finish, Bronze, or Clear Anodized frames or with custom painted frames
- Custom sizes with the same quick lead times
- Outstanding impact resistance – 250 times stronger than glass and thirty times stronger than acrylic
- Ideal for commercial or residential applications
- Five-year warranty against defects in material or workmanship
- Custom exterior and interior finished available

CURB MOUNT

Shown here with Clear over White dome and Mill Finished frame.



SELF-FLASHING

Shown here with Bronze over Clear dome and Bronze Anodized frame.



APPROVED FOR ALL WIND ZONES
THAT REQUIRE 100psf +/- DESIGN PRESSURE



PRISMATIC GLAZING

Prismatic glazing offers the ultimate in diffusion to enhance your natural day lighting design and the toughness required to be used in our fall protection products. Prismatic glazing can be used in almost every product American Skylights produces.



- **High light transmitting acrylic material**
- **100% diffusion**
- **Impact resistant material**
- **Lower cost than comparable monolithic products**

CIRCULAR CURB MOUNT

Model CCM



Frame: .060" T6063 extruded aluminum frame and retaining angle with integral condensation gutter. Unit mounts to roof curb by others. Available with options listed below.

Frame Finish: Mill or custom painted.

Glazing: Single, sealed double domes, or flat multiwall. Standard colors are available in acrylic, polycarbonate and Multiwall Polycarbonate Sheet.

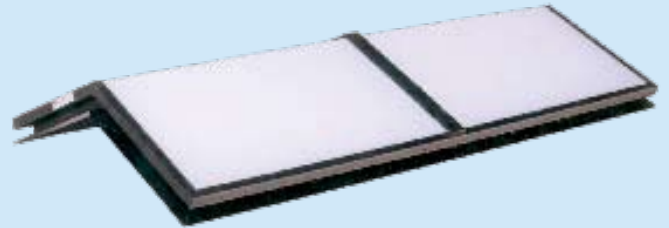
RESIDENTIAL SKYLIGHTS

Model RMSF & Model RMTSF

American Skylights' Ridge Lite units mount over the peak of the roof and are custom built to your specifications and roof pitches. The units are available with a standard 3.25" curb height (Model RMSF) or thermally broken with a 4" curb height (Model RMTSF). Available with all of American Skylights' standard options in glazing and frame finishes, the Ridge Lite offers creativity in design while offering natural light.

RIDGE MOUNT

Model RMSF

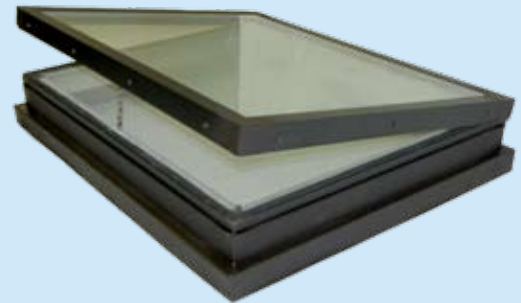


Model GTCM, GTSF, GTVCM & GTVSF

Available in fixed thermally broken curb mounted (Model GTCM) & self flashing with a 4" thermally broken & insulated curb (Model GTSF) or venting models (Model GTVCM) & (Model GTVSF).

VENTING GLASS UNITS

Model GTVSF



Frame: .060" T6063 aluminum framed skylight and retaining angle with integral condensation gutter and weep holes to direct moisture to the exterior.

Glazing: Dual insulating glass - tempered and/or laminated. Available options include tinting with bronze or grey tint as well as Low E coatings and Argon gas.

Finish: Mill, Bronze Anodized & Clear Anodized. Custom painting and anodizing are available upon request.

INSULATING GLASS UNITS

Model GTSF

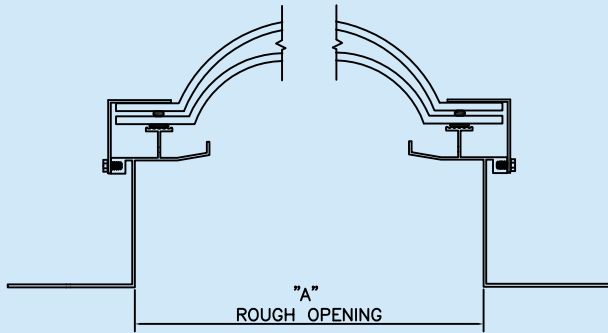
Residential Units Also Available In Plastic Dome Options

Domes are available in acrylic or polycarbonate for impact resistance. Standard colors are clear, #2447 white & #2412 bronze. These units are also available with formed pyramid glazing with a 22, 30 or 40 degree pitch. A wide variety of dome colors are available upon request.

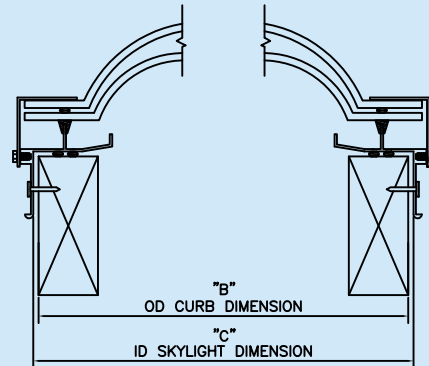


ORDERING INFORMATION

Self Flashing Placement



Curb Mount Placement



Basic Model Options

CM=Curb Mount
 TCM= Thermal Break Curb Mount
 SF= Self Flashing
 ISF=Insulated Self Flashing
 TSF=Thermally Broken & Insulated Self Flashing

Glazing Options

Single Dome Double Dome
 C = Clear CC = Clear/Clear
 B = Bronze BT = Bronze/Clear
 W = White CW = Clear/White
 C/W1P = Clear/Prismatic

Frame Options

MF = Mill Finish
 BA = Bronze Anodized
 CA = Clear Anodized
 CP = Custom Paint

Additional models & glazing options are available. Please call American Skylights to discuss the various models we offer.

Lead Time:

Lead times for Unit Skylights and Roof Systems are very competitive; we will not lose an order due to lead time. Check with your Account Manager for lead time details on any specific order.

Product Warranty

American Skylights offers a 5 year limited warranty against defects in materials and workmanship. Speak to your Account Manager at (855) 772-7401 for details.

Condensation

Condensation is the visible change of water vapor in the air to a liquid state. This often appears as water droplets and can form on the glazing and framing of skylights. Skylights are not the cause of condensation. Generally condensation issues are temporary and will dissipate as temperatures rise.

Building Codes

It is the responsibility of the purchaser to insure that product selection and application are in conformance with all applicable building code requirements. American Skylights waives all responsibility for the installation of our products that may fail to adhere to applicable code requirements.

Please visit our website at www.AmericanSkylights.com for up-to-date product information, unit details & numerous options available for your day lighting needs from American Skylights.

For specifications, see the link on our website for the American Skylight Spec Wizard by Arcat. This is a valuable tool for the Architect as well as anyone interested in specifying skylights. Just select the style of unit & the options you prefer from the drop downs, print and you have your CSI 3 Part Formatted specification.



Phone 855-772-7401 • Fax 855-445-7282

www.AmericanSkylights.com

Products/information subject to change without notice. Copyright © 2013, American Skylights. All rights reserved.

